



## Specification sheet

# Fire Pump Drive Engine

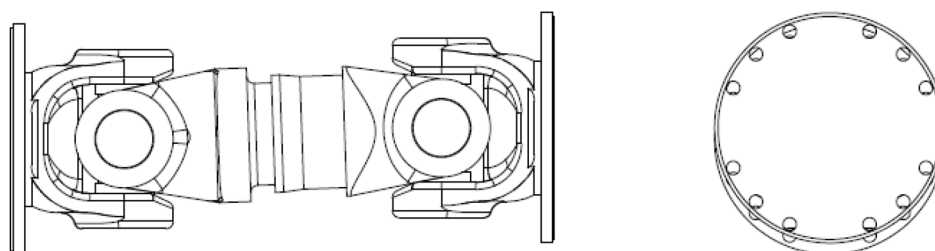
## Drivetrain Connections

### Description

Cummins optional drive train connections are designed to assist in your fire pump drive engine installation needs. Whether you are looking for stock replacement drive train components or high performance upgrades for your stub shaft, drive shaft, or torsional coupling, Cummins can provide you with the parts and expertise to fit your fire pump drive engine to your installation.

### Drive Shafts

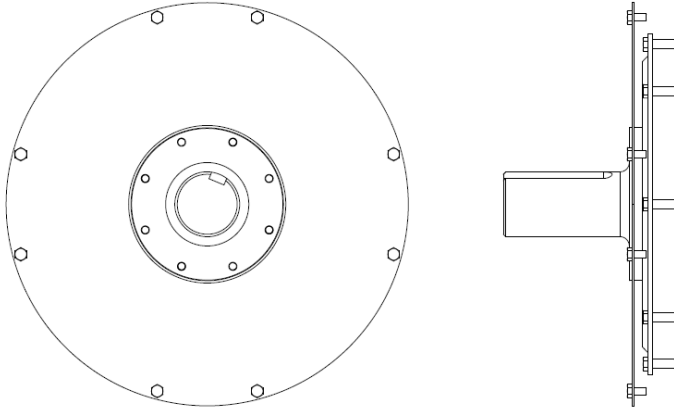
Cummins offers drive shafts that are custom fit to provide optimal torque for your fire pump drive engine. Cummins drive shafts are Underwriters Laboratories (UL)-listed for 84 to 460 fire pump drive engine horsepower. Please contact your Cummins Sales and Service representative for more information.



**Drive Shaft (typical)**

## Stub Shafts

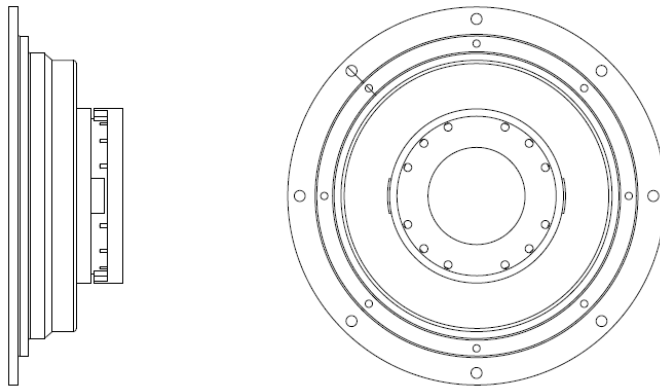
Cummins stub shafts are manufactured in accordance with SAE flywheel patterns. If you are in need of a stub shaft for your installation, please contact your Cummins Sales and Service representative for assistance in sizing the right stub shaft.



**Stub Shaft (typical)**

## Torsional Couplings

A torsional coupling is used to mitigate driveline vibration between the engine and the pump. Torsional couplings are required for all vertical turbine applications, unless a torsional analysis can be provided showing a coupling is not needed for the application. Torsional data for an engine is provided for coupling manufacturers to perform a torsional analysis and select the appropriate torsional coupling if required. Cummins provides torsional couplings for horizontal split-case applications upon request. Contact your Cummins Sales and Service representative for the torsional data diagram for your fire pump drive engine.



**Torsional Coupling (typical)**



Cummins Sales and Service  
875 Lawrence Drive  
DePere, Wisconsin 54115  
1 920 337 9750

[www.cumminsfirepower.com](http://www.cumminsfirepower.com)